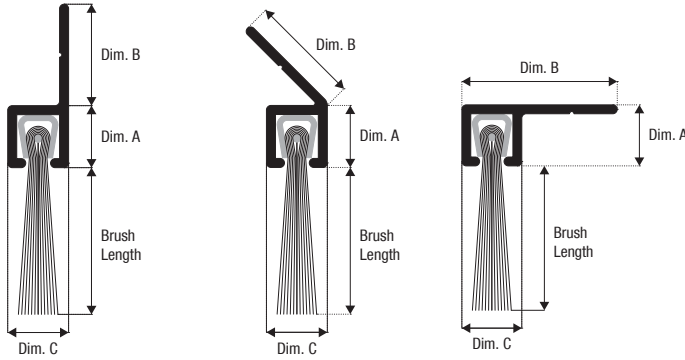


BRUSH STRIP SEALS

Available in three aluminium sections (180°, 45° and 90°), each in six different sizes. Standard lengths are 2000mm, 2500mm and 3000mm. The aluminium fixing carrier is supplied silver mill finish and the filament is type 6 black nylon. It is hard wearing with a working temperature from -40°C to +100°C. The brush can also be supplied without the aluminium fixing carrier if required (see cam strips on opposite page). The brush length sizes quoted are the mm of brush strip protruding out of the aluminium carrier.

All sections can be cut to length using a fine tooth saw. It is important that the galvanised steel channel which houses the nylon brush is then sealed to avoid filament loss. This can be achieved by pinching the end of the channel with pliers or wire cutters. All seals should be fitted with the door in the closed position, so that the brush filaments are in firm contact with the mating surface. Care should be taken not to overflex the trim against the mating surface.

Corrosion: These brush strips have been successfully tested to Grade 4 (240 hours neutral salt spray exposure) in accordance with BS EN 1670:2007 Building Hardware - Corrosion Resistance. Report No. WIL 392103 dated 30.01.2018 refers.



180° STANDARD CARRIER 45° ANGLE CARRIER 90° RIGHT ANGLE CARRIER



DOOR SEALS

SECTION	DIM. A	DIM. B	DIM. C	BRUSH LENGTH OPTIONS								
180° STANDARD UPRIGHT CARRIER. STOCK SIZES 2000MM, 2500MM AND 3000MM												
NO.1/180	5.3mm	10.5mm	5.2mm	8MM	10MM	12MM	15MM	-	-	-	-	-
NO.2/180	7mm	11mm	6.7mm	15MM	20MM	26MM	34MM	50MM	-	-	-	-
NO.3/180	8.4mm	13.6mm	8mm	17MM	20MM	26MM	34MM	40MM	44MM	50MM	75MM	100MM
NO.4/180	11mm	18mm	10.8mm	26MM	43MM	50MM	80MM	102MM	-	-	-	-
NO.5/180	13mm	20mm	13mm	46MM	50MM	66MM	80MM	102MM	125MM	150MM	180MM	-
NO.6/180	19mm	50mm	18mm	210MM	250MM	300MM	-	-	-	-	-	-
45° ANGLE CARRIER. STOCK SIZES 2000MM, 2500MM AND 3000MM												
NO.1/45	5.6mm	12mm	5.2mm	8MM	10MM	12MM	15MM	-	-	-	-	-
NO.2/45	7.2mm	16mm	7.2mm	15MM	20MM	26MM	34MM	50MM	-	-	-	-
NO.3/45	8.4mm	20mm	8mm	17MM	20MM	26MM	34MM	40MM	44MM	50MM	75MM	100MM
NO.4/45	10.5mm	27mm	11mm	26MM	43MM	50MM	80MM	102MM	-	-	-	-
NO.5/45	13mm	30mm	12mm	46MM	50MM	66MM	80MM	102MM	125MM	150MM	180MM	-
NO.6/45	19mm	50mm	17.9mm	210MM	250MM	300MM	-	-	-	-	-	-
90° RIGHT ANGLE CARRIER. STOCK SIZES 2000MM, 2500MM AND 3000MM												
NO.1/90	6mm	15mm	5.2mm	8MM	10MM	12MM	15MM	-	-	-	-	-
NO.2/90	6.8mm	17.3mm	7.2mm	15MM	20MM	26MM	34MM	50MM	-	-	-	-
NO.3/90	8.5mm	22.6mm	8mm	17MM	20MM	26MM	34MM	40MM	44MM	50MM	75MM	100MM
NO.4/90	11mm	28mm	11mm	26MM	43MM	50MM	80MM	102MM	-	-	-	-
NO.5/90	14mm	35mm	13mm	46MM	50MM	66MM	80MM	102MM	125MM	150MM	180MM	-
NO.6/90	19mm	69mm	17.9mm	210MM	250MM	300MM	-	-	-	-	-	-

Longer brushes are available to special order with NO.6 section, maximum length 500mm.