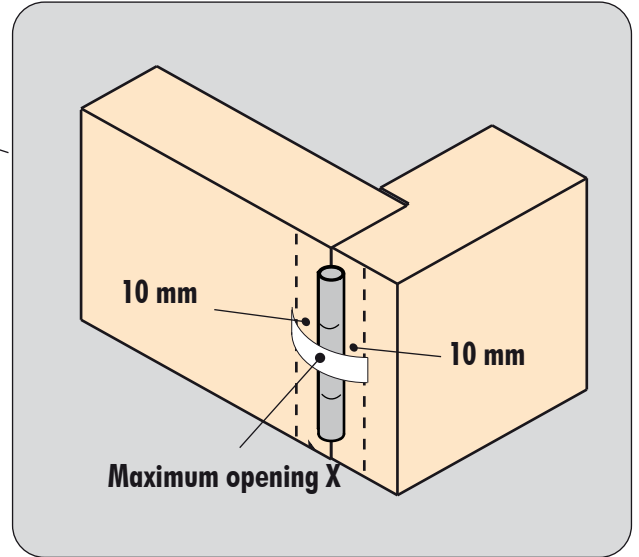
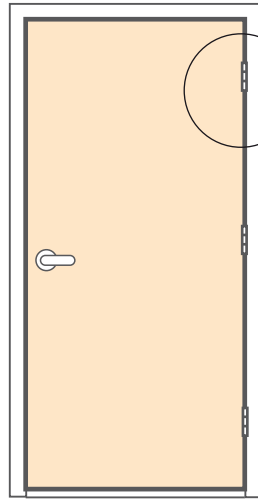


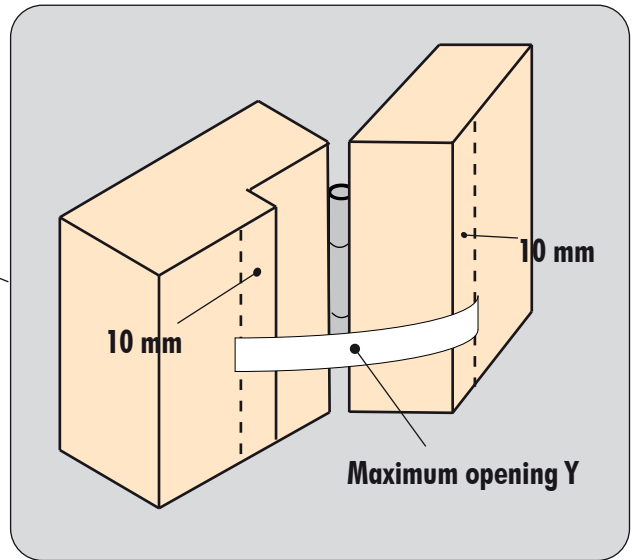
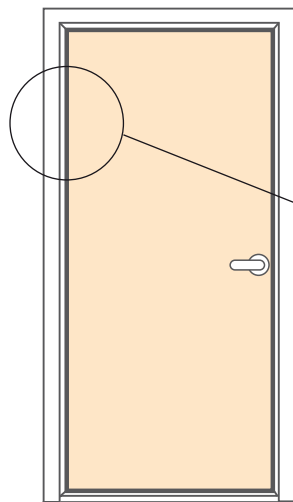
Templates

Check Fixing Position

Check whether the fixing position is suitable for Finprotect Plus by using the "Measure Template". The profile must not be overstretched. If this is the case, the opening angle must be limited using a door stop.



1. Template "Small" of "Wide"



2. Template "Small" of "Extra Wide"



Small: Maximum opening 80 mm

Wide: Maximum opening 210 mm

Extra Wide: Maximum opening 250 mm



Type		Maximum Opening X	Maximum Opening Y
5090	Small + Wide	max. 80 mm	max. 210 mm
90120	Wide + Extra Wide	max. 210 mm	max. 250 mm